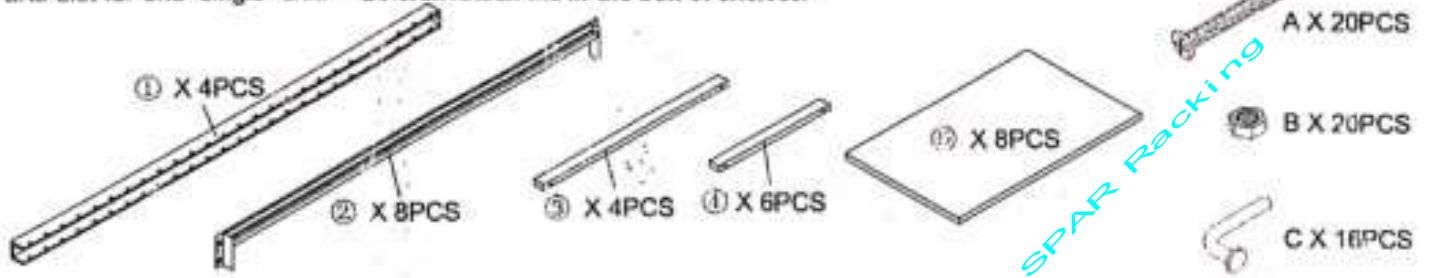


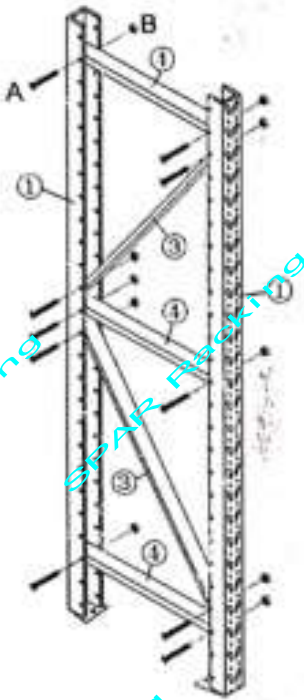
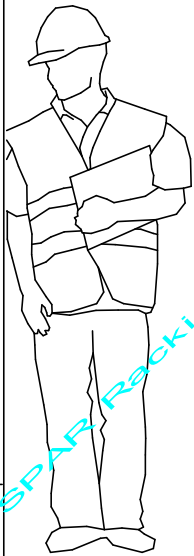


Parts List for one "single" unit. Bolts&Nuts&Pins in the box of shelves.



Step1: Bolt the cross braces ③④ with long legs ① together.

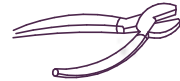
Step2: Cross rails ② clip in the slots of long legs ①.



For this assembly you will need the following for a safe install.



Rubber or plastic headed mallet



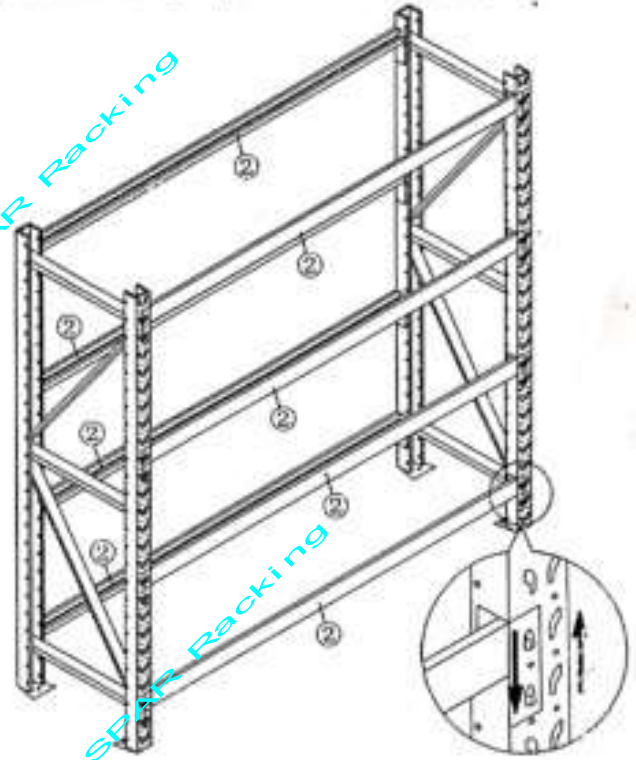
Standard square head plier



OR



Power screwdriver with M80 socket or fixed M80 spanner



Step3: Shelf Panels ⑤ sit on the cross rails ②.

Step4: Put safety pin C through the hole in cross rails ② and long leg ① to secure the cross rails, Done.

